

# SILVERTRONIC LTD

Title: 4mm Socket To Aero Pin  
Lead Assembly

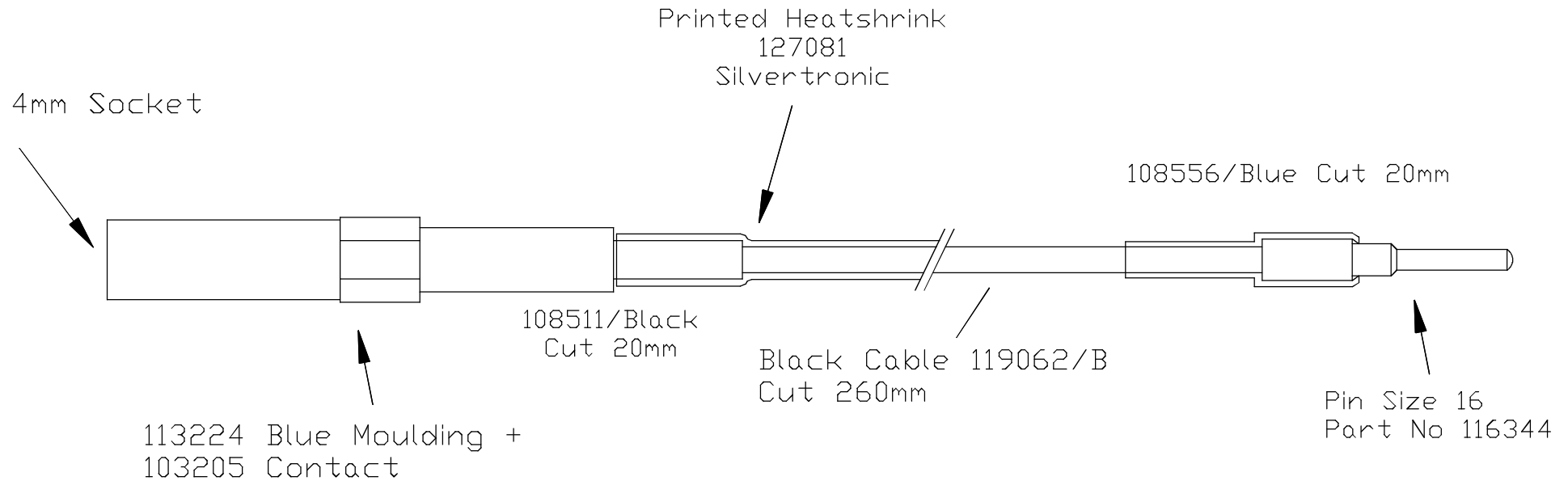
Rev	Details	Date	Drawn
4			
3			
2			
1	First issue	10/12/08	CS
-	Pre-Production issue	10/12/08	CS

Part No:  
127081 Blue

This drawing is not to be disclosed to a third party without the written authority from the company ●

Material: N/A

Project No:  
1609



Overall Length Approx:- 300mm

Assembly Jig Numbers		Printing as illustrated	Tolerances: Cable Lengths +/- 05%	Do Not Scale All Dimensions In MM
#####=J###	#####=J###	Packaging:		
#####=J###	#####=J###			